

2G FST : GST

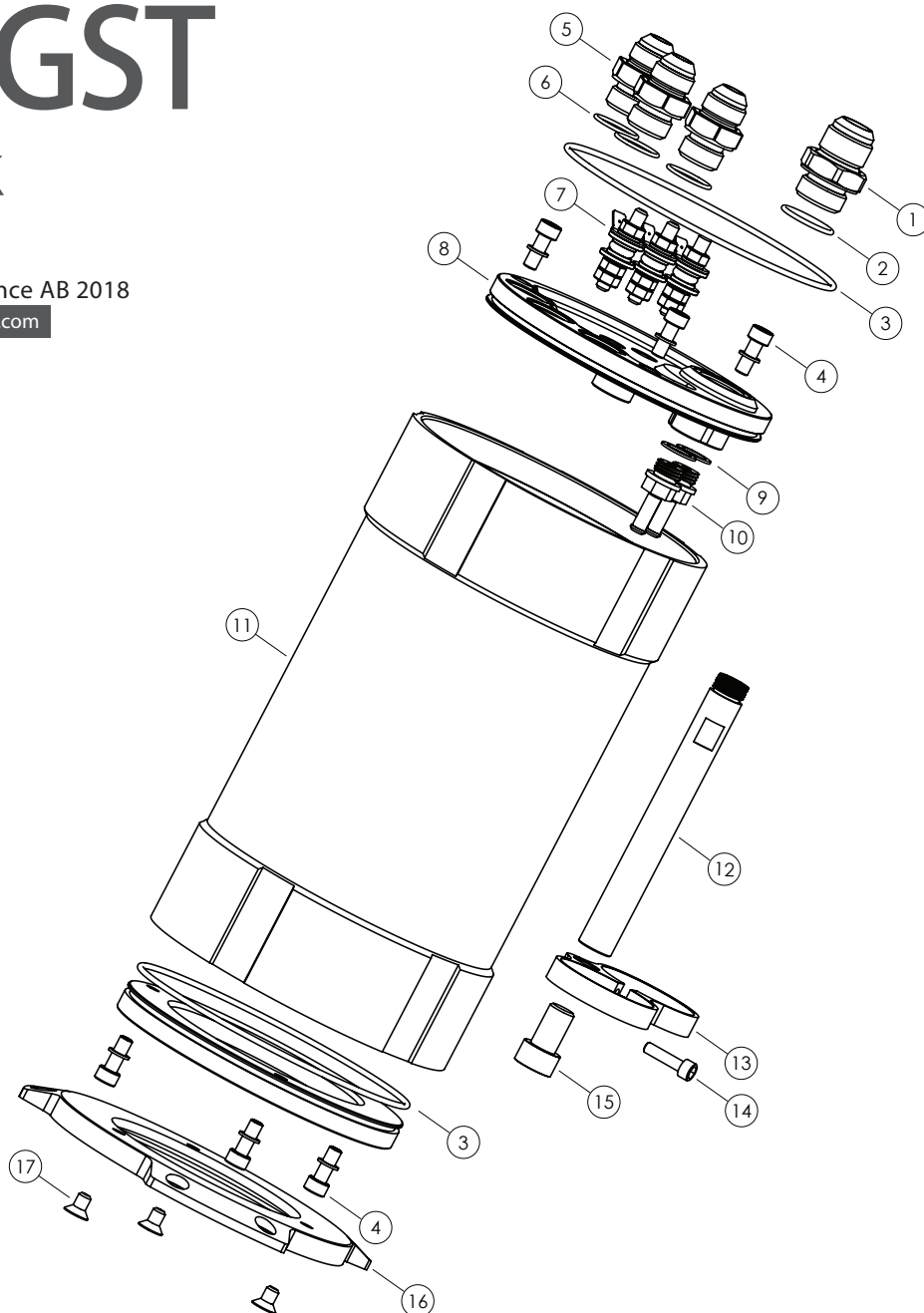
Fuel Surge Tank

150-01-208

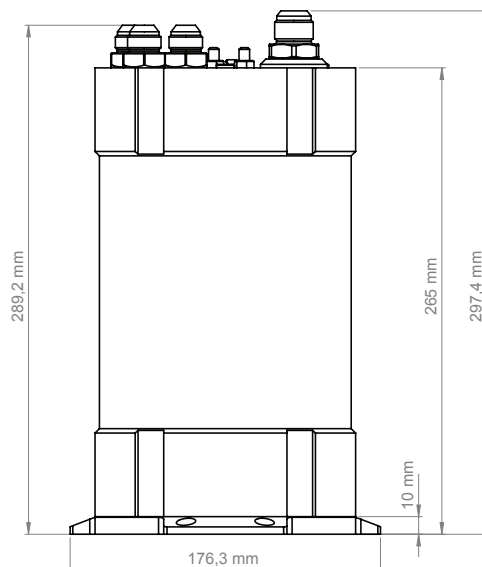
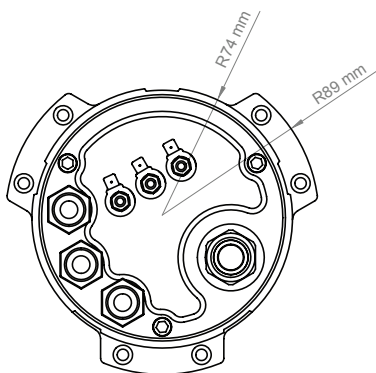
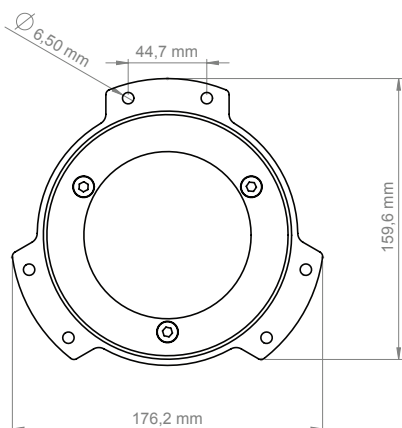
Assembly Instructions | © Nuke Performance AB 2018

For more information visit : www.nukeperformance.com

- 1 AN-10 (7/8 UNF) to AN-10 Male Fitting
- 2 AN-10 Viton O-Ring 22,1*2mm
- 3 Viton O-ring 134 * 2,5 mm for top and bottom lid
- 4 6 x Stainless M6 * 16 mm Screw with sealer
- 5 3 x AN-8 (3/4 UNF) to AN-8 Male Fitting
AN-6 / AN-8 / AN-10 is available
- 6 3 x AN-8 Viton O-Ring 19,1 * 1,6 mm
- 7 3 x Electrical Connector
- 8 Billet Top Lid - single AN-10 (7/8 UNF) outlet
- 9 1/4 Copper crush washer
- 10 1/4 G Barb Fitting
- 11 Billet Fuel Surge Tank Housing 3.0 liter
- 12 Pipe for billet internal bracket
- 13 Billet Bracket for dual 46 / 39 mm fuel pumps
- 14 Stainless Steel M5*20mm MC6S
- 15 Stainless Steel M12*20mm
- 16 Billet mounting bracket with 6 bolt pattern
Fits all Nuke Performance FST, including 1G
- 17 3 x Stainless M6 * 6 mm Screw



MEASUREMENTS



Information:

Design combined with top quality performance.
For more information about the products and retailers visit
www.nukeperformance.com